

CANTER 6C18 4x4 LHD

MODEL / VEHICLE TYPE 6C18 4x4

| | | |
|-----------------|-------------------------|--------------|
| Cab type / crew | Comfort, single cab / 3 | |
| Model variant | 46911512 | 46911712 |
| FUSO model code | FGB71EL6SEUY | FGB71GL6SEUY |

DIMENSIONS (MM)

| | | | |
|----------------------------------|--------------|-------------|------|
| Wheelbase | | 3415 | 3865 |
| Overall length | | 5935 | 6685 |
| Cab length | | | 1625 |
| Width overall | | | 2098 |
| Cab width | | | 1995 |
| Height overall | | 2475 | 2470 |
| Track width | Front / rear | 1665 / 1560 | |
| Frame height (at end of frame) | | 815 | 810 |
| Cab to rear axle | | 2890 | 3340 |
| Cab to end of frame | | 4285 | 5035 |
| Maximum body length** | | 5005 | 5750 |
| Frame width | | | 750 |
| Front overhang | | | 1130 |
| Rear overhang | | 1395 | 1695 |
| Front axle to front of body | | | 625 |
| Recommended distance cab to body | | | 100 |

WEIGHTS (KG)

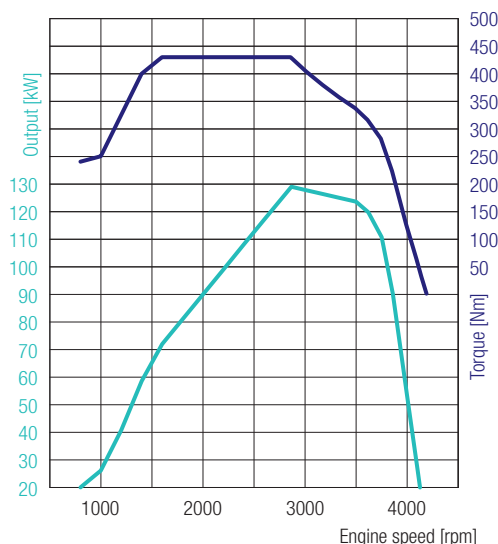
| | | | |
|---|-------------------|--------------|-------------|
| Empty weight* | | 2825 | 2845 |
| | Front* / rear* | 1860 / 965 | 1825 / 1020 |
| Minimum vehicle weight | | 2905 | |
| Gross vehicle weight / gross combination weight | | 6500 / 10000 | |
| Axle loads* | Front / rear | 2800 / 5125 | 2800 / 5070 |
| Towed weight | Braked / unbraked | 3500 / 750 | |
| Chassis load bearing capacity* | | 3675 | 3655 |

CALCULATED OUTPUT

| | | | |
|----------------------------|--------------|------|------|
| Maximum speed | km/h | 130 | |
| Minimum turning circle (m) | Kerb to kerb | 13.5 | 15.1 |
| | Wall to wall | 14.9 | 16.5 |

GROUND CLEARANCES AND APPROACH/DEPARTURE ANGLES

| | | | |
|------------------------------|--------------|-----------|--|
| Ground clearance under axles | Front / rear | 210 / 185 | |
| Approach/departure angles | front / rear | 35° / 25° | |



4P10 – 129 kW (175 PS)
 430 Nm@1600 rpm
 129 kW@2865 rpm

CANTER 6C18 4x4 LHD

ENGINE (EURO VI)

| | | | |
|----------------------------|--|-------------------|------------------------------------|
| Type | Water-cooled four-stroke diesel engine with turbocharger, intercooler and direct injection | | |
| No. of cylinders | 4/in-line | | |
| Capacity | 2998 cm ³ | | |
| Peak output | 129 kW (175 hp) / 2865 rpm | | |
| Rated torque | 430 Nm / 1600 rpm | | |
| Diesel particulate filter | Service life approx. 300,000 km | | |
| Alternator | Alternating current 12 V, 140 A | | |
| Exhaust gas aftertreatment | SCR + DPF | | |
| PTO (optional) | Type | 31 kW with flange | 31 kW for directly connected pumps |
| | Torque at peak output [Nm]: | 196 Nm | |
| | Gear ratios | 1:0.644 | 1:0.638 |
| | Engine speed at peak output | 1500 rpm | |

POWERTRAIN

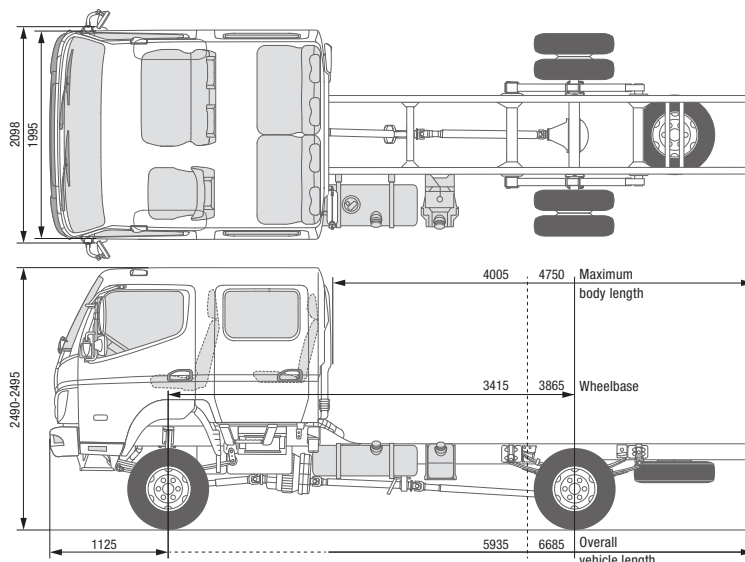
| | | | |
|--------------------------------|------------------|---|--|
| Transmission / all-wheel drive | Type | Manual gearbox, 5 forward gears, 1 reverse gear | |
| | Gear ratio | 5.494 - 3.193 - 1.689 - 1.000 - 0.723 - reverse 5.494 | |
| | Torque split 4x4 | 60% front / 40% rear | |
| Rear axle gear ratio | Ratio | 4.875 | |

CHASSIS

| | | | |
|-------------------------------|----------------------------------|---|-----------------------------|
| Front axle / rear axle | Model | F200TW / R035T | |
| | Load-bearing capacity front/rear | 2800 kg / 5000 kg (3415 mm) | 2800 kg / 4940 kg (3865 mm) |
| Tyres | | 205/75R17.5C 124/122 M | |
| | | Twin tyres at rear, tyres with optimised rolling resistance | |
| Wheel | | 17.5 x 6.00 - 127 - 9t - 6 wheel bolts | |
| Steering | | LHD | |
| | | Recirculating-ball steering with power assist, tilting telescopic steering column with steering-wheel lock | |
| Brake | Service brake | Hydraulic with vacuum power assist, dual-circuit with load-dependent brake proportioning valve at rear wheels | |
| | Front / rear | Drum brake (320 x 75.2L) / drum brake (320 x 110) | |
| | Parking brake | Mechanical expanding brake on drive shaft at rear of transmission | |
| | Auxiliary brake | Exhaust brake (50 kW) | |
| Suspension | Front / rear | Semi-elliptic leaf spring with shock absorber and stabiliser | |
| Frame | Type | Ladder-type frame with reinforcements and crossmembers | |
| Fuel tank capacity | | 100 litres | |
| Electrical system – batteries | | 12 V (100 AH - 760 A(EN)) | |

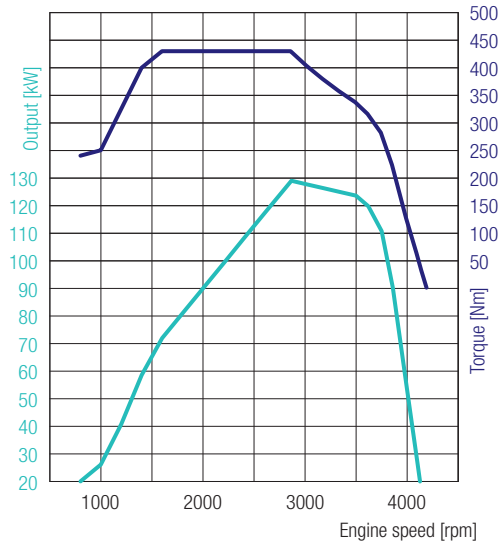
* The weight refers to the base vehicle (European series, including coolant, oil, 90% fuel, tyre sealant, tools and driver with 75 kg) without optional equipment. If any optional equipment is added, the weight changes accordingly. ** Calculated maximum value which should be checked depending on the body and application.

Subject to change without notice. All data is approximate. The illustrations may contain accessories and items of optional equipment which are not part of the standard specification. The data sheet may contain product types and support services not available in certain countries.



CANTER 6C18D 4x4 LHD

| MODEL / VEHICLE TYPE | | 6C18D 4x4 | |
|---|--|------------------------------|--------------|
| Cab type / crew | | Comfort, crew cab / 7 | |
| Model variant | | 46911514 | 46911714 |
| FUSO model code | | FGB71EL6WEUY | FGB71GL6WEUY |
| DIMENSIONS (MM) | | | |
| Wheelbase | | 3415 | 3865 |
| Overall length | | 5935 | 6685 |
| Cab length | | 2625 | |
| Width overall | | 2098 | |
| Cab width | | 1995 | |
| Height overall | | 2495 | 2490 |
| Track width | | Front / rear 1665 / 1560 | |
| Frame height (at end of frame) | | 810 | |
| Cab to rear axle | | 1890 | 2340 |
| Cab to end of frame | | 3285 | 4035 |
| Maximum body length** | | 4005 | 4750 |
| Frame width | | 750 | |
| Front overhang | | 1130 | |
| Rear overhang | | 1395 | 1695 |
| Front axle to front of body | | 1625 | |
| Recommended distance cab to body | | 100 | |
| WEIGHTS (KG) | | | |
| Empty weight* | | 3050 | 3065 |
| Front* / rear* | | 1930 / 1120 | 2035 / 1030 |
| Minimum vehicle weight | | 3105 | |
| Gross vehicle weight / gross combination weight | | 6500 / 10000 | |
| Axle loads* | | Front / rear 2800 / 5125 | |
| Towed weight | | Braked / unbraked 3500 / 750 | |
| Chassis load bearing capacity* | | 3450 | 3435 |
| CALCULATED OUTPUT | | | |
| Maximum speed | | km/h | 130 |
| Minimum turning circle (m) | | Kerb to kerb 13.5 | |
| | | Wall to wall 14.9 | |
| Ground clearance under axles | | Front / rear 210 / 185 | |
| Approach/departure angles | | Front / rear 35° / 25° | |



4P10 – 129 kW (175 PS)
 430 Nm@1600 rpm
 129 kW@2865 rpm

CANTER 6C18D 4x4 LHD

ENGINE (EURO VI)

| | | | |
|----------------------------|--|-------------------|------------------------------------|
| Type | Water-cooled four-stroke diesel engine with turbocharger, intercooler and direct injection | | |
| No. of cylinders | 4/in-line | | |
| Capacity | 2998 cm ³ | | |
| Peak output | 129 kW (175 hp) / 2865 rpm | | |
| Rated torque | 430 Nm / 1600 rpm | | |
| Diesel particulate filter | Service life approx. 300,000 km | | |
| Alternator | Alternating current 12 V, 140 A | | |
| Exhaust gas aftertreatment | SCR + DPF | | |
| PTO (optional) | Type | 31 kW with flange | 31 kW for directly connected pumps |
| | Torque at peak output [Nm]: | 196 Nm | |
| | Gear ratios | 1:0.644 | 1:0.638 |
| | Engine speed at peak output | 1500 rpm | |

POWERTRAIN

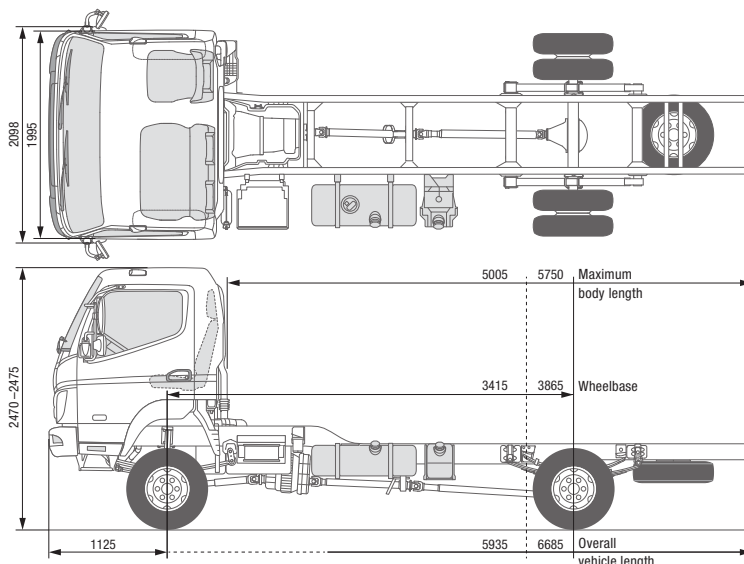
| | | | |
|--------------------------------|------------------|---|--|
| Transmission / all-wheel drive | Type | Manual gearbox, 5 forward gears, 1 reverse gear | |
| | Gear ratio | 5.494 - 3.193 - 1.689 - 1.000 - 0.723 - reverse 5.494 | |
| | Torque split 4x4 | 60% front / 40% rear | |
| Rear axle gear ratio | Ratio | 4.875 | |

CHASSIS

| | | | |
|-------------------------------|----------------------------------|---|-----------------------------|
| Front axle / rear axle | Model | F200TW / R035T | |
| | Load-bearing capacity front/rear | 2800 kg / 5000 kg (3415 mm) | 2800 kg / 5070 kg (3865 mm) |
| Tyres | | 205/75R17.5C 124/122 M | |
| | | Twin tyres at rear, tyres with optimised rolling resistance | |
| Wheel | | 17.5 x 6.00 - 127 - 9t - 6 wheel bolts | |
| Steering | | LHD | |
| | | Recirculating-ball steering with power assist, tilting telescopic steering column with steering-wheel lock | |
| Brake | Service brake | Hydraulic with vacuum power assist, dual-circuit with load-dependent brake proportioning valve at rear wheels | |
| | Front / rear | Drum brake (320 x 75.2L) / drum brake (320 x 110) | |
| | Parking brake | Mechanical expanding brake on drive shaft at rear of transmission | |
| | Auxiliary brake | Exhaust brake (50 kW) | |
| Suspension | Front / rear | Semi-elliptic leaf spring with shock absorber and stabiliser | |
| Frame | Type | Ladder-type frame with reinforcements and crossmembers | |
| Fuel tank capacity | | 100 litres | |
| Electrical system – batteries | | 12 V (100 AH - 760 A(EN)) | |

* The weight refers to the base vehicle (European series, including coolant, oil, 90% fuel, tyre sealant, tools and driver with 75 kg) without optional equipment. If any optional equipment is added, the weight changes accordingly. ** Calculated maximum value which should be checked depending on the body and application.

Subject to change without notice. All data is approximate. The illustrations may contain accessories and items of optional equipment which are not part of the standard specification. The data sheet may contain product types and support services not available in certain countries.



CANTER 6C18 4x4 RHD

MODEL / VEHICLE TYPE 6C18 4x4

| | | |
|-----------------|-------------------------|--------------|
| Cab type / crew | Comfort, single cab / 3 | |
| Model variant | 46911522 | 46911722 |
| FUSO model code | FGB71ER6SEUY | FGB71GR6SEUY |

DIMENSIONS (MM)

| | | | |
|----------------------------------|--------------|------|-------------|
| Wheelbase | | 3415 | 3865 |
| Overall length | | 5935 | 6685 |
| Cab length | | | 1625 |
| Width overall | | | 2098 |
| Cab width | | | 1995 |
| Height overall | | 2475 | 2470 |
| Track width | Front / rear | | 1665 / 1560 |
| Frame height (at end of frame) | | 815 | 810 |
| Cab to rear axle | | 2890 | 3340 |
| Cab to end of frame | | 4285 | 5035 |
| Maximum body length** | | 5005 | 5750 |
| Frame width | | | 750 |
| Front overhang | | | 1130 |
| Rear overhang | | 1395 | 1695 |
| Front axle to front of body | | | 625 |
| Recommended distance cab to body | | | 100 |

WEIGHTS (KG)

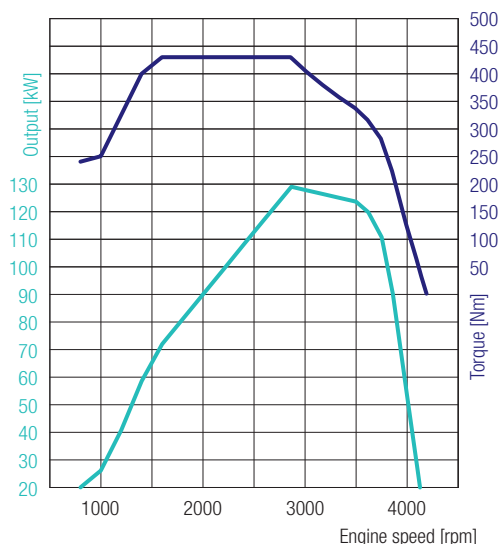
| | | | |
|---|-------------------|-------------|--------------|
| Empty weight* | | 2825 | 2845 |
| | Front* / rear* | 1860 / 965 | 1825 / 1020 |
| Minimum vehicle weight | | | 2905 |
| Gross vehicle weight / gross combination weight | | | 6500 / 10000 |
| Axle loads* | Front / rear | 2800 / 5125 | 2800 / 5070 |
| Towed weight | Braked / unbraked | | 3500 / 750 |
| Chassis load bearing capacity* | | 3675 | 3655 |

CALCULATED OUTPUT

| | | | |
|----------------------------|--------------|------|------|
| Maximum speed | km/h | | 130 |
| Minimum turning circle (m) | Kerb to kerb | 13.5 | 15.1 |
| | Wall to wall | 14.9 | 16.5 |

GROUND CLEARANCES AND APPROACH/DEPARTURE ANGLES

| | | | |
|------------------------------|--------------|--|-----------|
| Ground clearance under axles | Front / rear | | 210 / 185 |
| Approach/departure angles | front / rear | | 35° / 25° |



4P10 – 129 kW (175 PS)
 430 Nm@1600 rpm
 129 kW@2865 rpm

CANTER 6C18 4x4 RHD

ENGINE (EURO VI)

| | | | |
|----------------------------|--|-------------------|------------------------------------|
| Type | Water-cooled four-stroke diesel engine with turbocharger, intercooler and direct injection | | |
| No. of cylinders | 4/in-line | | |
| Capacity | 2998 cm ³ | | |
| Peak output | 129 kW (175 hp) / 2865 rpm | | |
| Rated torque | 430 Nm / 1600 rpm | | |
| Diesel particulate filter | Service life approx. 300,000 km | | |
| Alternator | Alternating current 12 V, 140 A | | |
| Exhaust gas aftertreatment | SCR + DPF | | |
| PTO (optional) | Type | 31 kW with flange | 31 kW for directly connected pumps |
| | Torque at peak output [Nm]: | 196 Nm | |
| | Gear ratios | 1:0.644 | 1:0.638 |
| | Engine speed at peak output | 1500 rpm | |

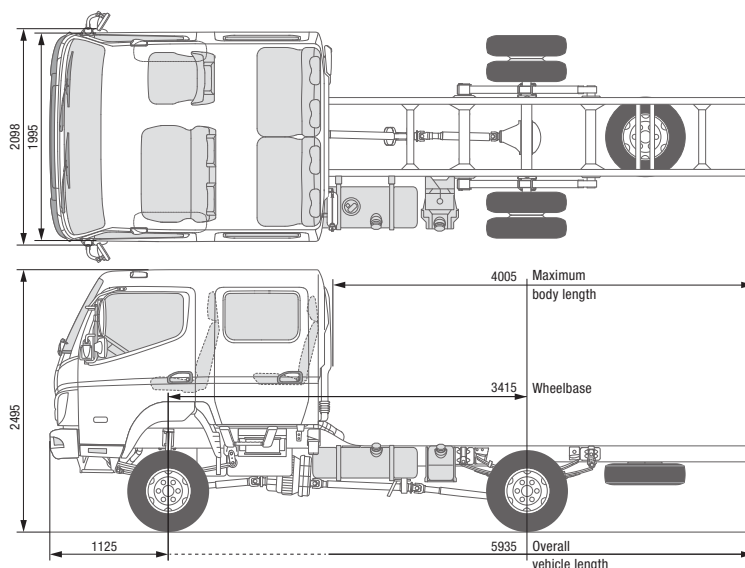
POWERTRAIN

| | | | |
|--------------------------------|------------------|---|--|
| Transmission / all-wheel drive | Type | Manual gearbox, 5 forward gears, 1 reverse gear | |
| | Gear ratio | 5.494 - 3.193 - 1.689 - 1.000 - 0.723 - reverse 5.494 | |
| | Torque split 4x4 | 60% front / 40% rear | |
| Rear axle gear ratio | Ratio | 4.875 | |

CHASSIS

| | | | |
|-------------------------------|----------------------------------|---|-----------------------------|
| Front axle / rear axle | Model | F200TW / R035T | |
| | Load-bearing capacity front/rear | 2800 kg / 5000 kg (3415 mm) | 2800 kg / 5070 kg (3865 mm) |
| Tyres | | 205/75R17.5C 124/122 M | |
| | | Twin tyres at rear, tyres with optimised rolling resistance | |
| Wheel | | 17.5 x 6.00 - 127 - 9t - 6 wheel bolts | |
| Steering | | RHD | |
| | | Recirculating-ball steering with power assist, tilting telescopic steering column with steering-wheel lock | |
| Brake | Service brake | Hydraulic with vacuum power assist, dual-circuit with load-dependent brake proportioning valve at rear wheels | |
| | Front / rear | Drum brake (320 x 75.2L) / drum brake (320 x 110) | |
| | Parking brake | Mechanical expanding brake on drive shaft at rear of transmission | |
| | Auxiliary brake | Exhaust brake (50 kW) | |
| Suspension | Front / rear | Semi-elliptic leaf spring with shock absorber and stabiliser | |
| Frame | Type | Ladder-type frame with reinforcements and crossmembers | |
| Fuel tank capacity | | 100 litres | |
| Electrical system – batteries | | 12 V (100 AH - 760 A(EN)) | |

* The weight refers to the base vehicle (European series, including coolant, oil, 90% fuel, tyre sealant, tools and driver with 75 kg) without optional equipment. If any optional equipment is added, the weight changes accordingly. ** Calculated maximum value which should be checked depending on the body and application.
 Subject to change without notice. All data is approximate. The illustrations may contain accessories and items of optional equipment which are not part of the standard specification. The data sheet may contain product types and support services not available in certain countries.



CANTER 6C18D 4x4 RHD

MODEL / VEHICLE TYPE 6C18D 4x4

| | | |
|-----------------|-----------------------|--|
| Cab type / crew | Comfort, crew cab / 7 | |
| Model variant | 46911524 | |
| FUSO model code | FGB71ER6WEUY | |

DIMENSIONS (MM)

| | | |
|----------------------------------|--------------|-------------|
| Wheelbase | 3415 | |
| Overall length | 5935 | |
| Cab length | 2625 | |
| Width overall | 2098 | |
| Cab width | 1995 | |
| Height overall | 2495 | |
| Track width | Front / rear | 1665 / 1560 |
| Frame height (at end of frame) | 810 | |
| Cab to rear axle | 1890 | |
| Cab to end of frame | 3285 | |
| Maximum body length** | 4005 | |
| Frame width | 750 | |
| Front overhang | 1130 | |
| Rear overhang | 1395 | |
| Front axle to front of body | 1625 | |
| Recommended distance cab to body | 100 | |

WEIGHTS (KG)

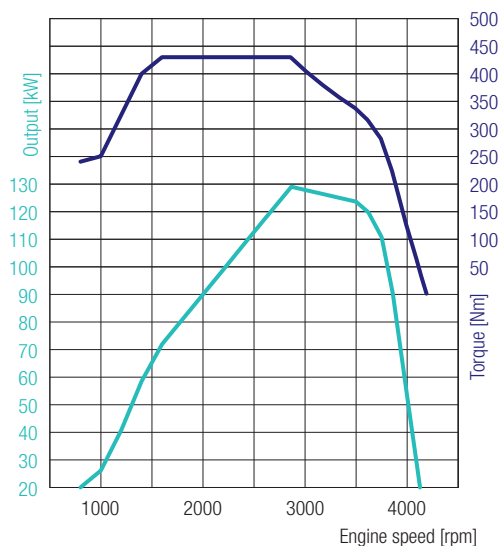
| | | |
|---|-------------------|-------------|
| Empty weight* | 3050 | |
| | Front* / rear* | 1930 / 1120 |
| Minimum vehicle weight | 3105 | |
| Gross vehicle weight / gross combination weight | 6500 / 10000 | |
| Axle loads* | Front / rear | 2800 / 5125 |
| Towed weight | Braked / unbraked | 3500 / 750 |
| Chassis load bearing capacity* | 3450 | |

CALCULATED OUTPUT

| | | |
|----------------------------|--------------|------|
| Maximum speed | km/h | 130 |
| Minimum turning circle (m) | Kerb to kerb | 13.5 |
| | Wall to wall | 14.9 |

GROUND CLEARANCES AND APPROACH/DEPARTURE ANGLES

| | | |
|------------------------------|--------------|-----------|
| Ground clearance under axles | Front / rear | 210 / 185 |
| Approach angle | front / rear | 35° / 25° |



4P10 – 129 kW (175 PS)
 430 Nm@1600 rpm
 129 kW@2865 rpm

CANTER 6C18D 4x4 RHD

ENGINE (EURO VI)

| | | | |
|----------------------------|--|-------------------|------------------------------------|
| Type | Water-cooled four-stroke diesel engine with turbocharger, intercooler and direct injection | | |
| No. of cylinders | 4/in-line | | |
| Capacity | 2998 cm ³ | | |
| Peak output | 129 kW (175 hp) / 2865 rpm | | |
| Rated torque | 430 Nm / 1600 rpm | | |
| Diesel particulate filter | Service life approx. 300,000 km | | |
| Alternator | Alternating current 12 V, 140 A | | |
| Exhaust gas aftertreatment | SCR + DPF | | |
| PTO (optional) | Type | 31 kW with flange | 31 kW for directly connected pumps |
| | Torque at peak output [Nm]: | 196 Nm | |
| | Gear ratios | 1:0.644 | 1:0.638 |
| | Engine speed at peak output | 1500 rpm | |

POWERTRAIN

| | | |
|--------------------------------|------------------|---|
| Transmission / all-wheel drive | Type | Manual gearbox, 5 forward gears, 1 reverse gear |
| | Gear ratio | 5.494 - 3.193 - 1.689 - 1.000 - 0.723 - reverse 5.494 |
| | Torque split 4x4 | 60% front / 40% rear |
| Rear axle gear ratio | Ratio | 4.875 |

CHASSIS

| | | |
|-------------------------------|----------------------------------|---|
| Front axle / rear axle | Model | F200TW / R035T |
| | Load-bearing capacity front/rear | 2800 kg / 5000 kg |
| Tyres | | 205/75R17.5C 124/122 M |
| | | Twin tyres at rear, tyres with optimised rolling resistance |
| Wheel | | 17.5 x 6.00 - 127 - 9t - 6 wheel bolts |
| Steering | | RHD |
| | | Recirculating-ball steering with power assist, tilting telescopic steering column with steering-wheel lock |
| Brake | Service brake | Hydraulic with vacuum power assist, dual-circuit with load-dependent brake proportioning valve at rear wheels |
| | Front / rear | Drum brake (320 x 75.2L) / drum brake (320 x 110) |
| | Parking brake | Mechanical expanding brake on drive shaft at rear of transmission |
| | Auxiliary brake | Exhaust brake (50 kW) |
| Suspension | Front / rear | Semi-elliptic leaf spring with shock absorber and stabiliser |
| Frame | Type | Ladder-type frame with reinforcements and crossmembers |
| Fuel tank capacity | | 100 litres |
| Electrical system – batteries | | 12 V (100 AH - 760 A(EN)) |

* The weight refers to the base vehicle (European series, including coolant, oil, 90% fuel, tyre sealant, tools and driver with 75 kg) without optional equipment. If any optional equipment is added, the weight changes accordingly. ** Calculated maximum value which should be checked depending on the body and application.

Subject to change without notice. All data is approximate. The illustrations may contain accessories and items of optional equipment which are not part of the standard specification. The data sheet may contain product types and support services not available in certain countries.